



ROUND LED WALL MIRROR

SPECIFICATION SHEET

SMC6060F

MODEL NO. ELI 2424 P

Features

- THREE COLOR TEMPERATURE OPTIONS: 3000K, 4500K & 6400K
- DEFOGGER.
- DOUBLE KEY SENSI-TOUCH DIMMER.
- ENERGY EFFICIENT LED LIGHTING.

Kelvin	3000**	6400**
CRI	80+	80+
Lumens* (Approx)	2300	2300
LED Driver	110V	36W

* 2835 double led strip light, 240 chips/m, 2300lm, 21w

Construction

- POWDER COAT WHITE STEEL HOUSING.
- HIGH POLISHED EDGE MIRROR WITH FROSTED PERIMETER. COPPER FREE.
- CONSTRUCTED FOR SURFACE MOUNTING.
- INSTALLATION HARDWARE INCLUDED.

Codes/Standards Applicable

UL CERTIFICATION FOR LED MIRROR:

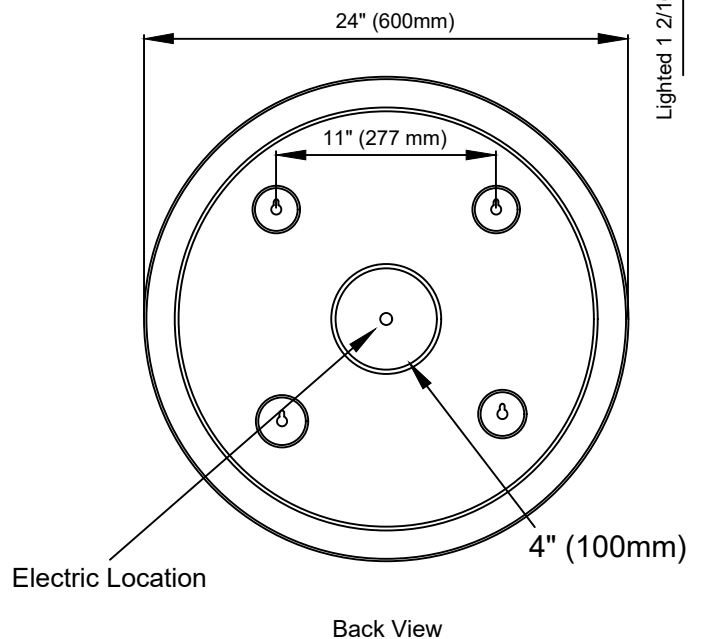
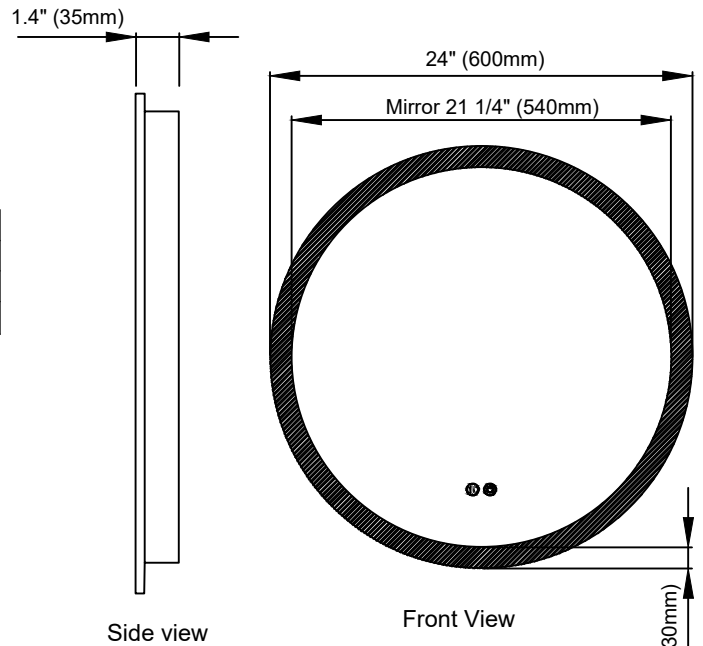
- UL 8750
- E474408

Dimensions

DIAMETER: 23.5" (600 MM)
 DEPTH: 1-1/4" (35 MM)
 WHIP LENGTH: 25" (635 MM)

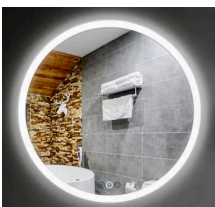
Electrical System

- 120 VAC 60HZ ELECTRIC LOCATION AS SHOWN.
- COMPATIBLE WITH MOST TRIAC/ PHASE-CUT DIMMERS.



Model Number Key

LED	Mirror	Diameter	Shape	Light Pattern	Edge Type	Options	Color Temp
L	M	24"	Y = Circle	Y = Inset	FP = Flat, polished	D = Defogger	Y = 3000k Y = 6400k



10 HENRY ST
 FREEPORT, NY 11520
 718-366-1966

www.sofiamedicinecabinets.com